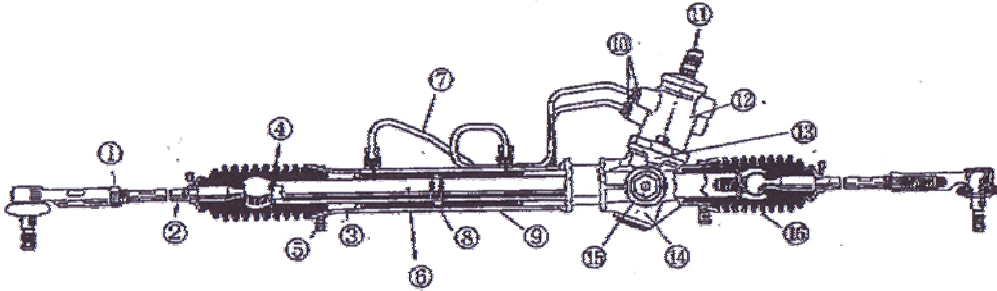


CUSTOMER WARRANTY REQUEST (CWR)



Steering Rack Problem:

- | | | | |
|---------------|---------------------|------------------|-----------------------|
| 1 Nut | 5 Bootband | 9 Cylinder | 13 Inside Bearing |
| 2 Innersocket | 6 Rack | 10 Copper Washer | 14 Inside Selflocknut |
| 3 Endcover | 7 Oil Pressure Tube | 11 Pinion | 15 Adjusting Screw |
| 4 Lockwasher | 8 Teflon Ring | 12 Housing | 16 Boot |

GENERAL INFORMATION

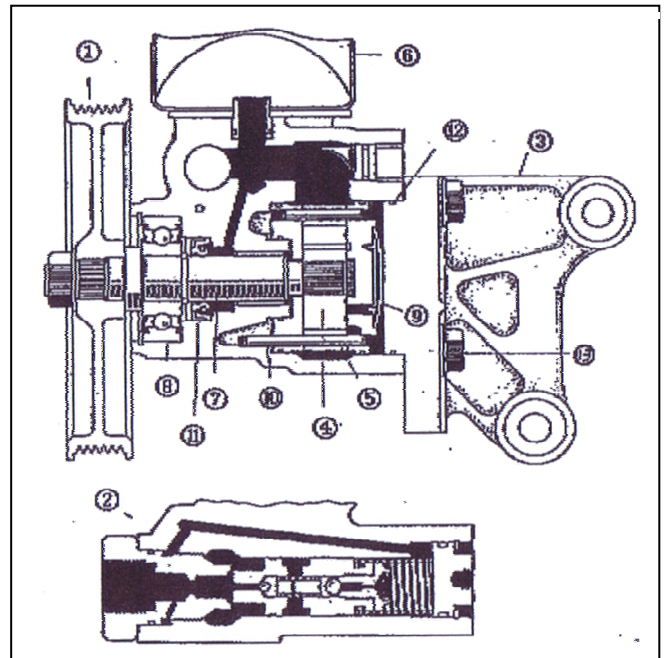
URW CWR NUMBER Please quote this number on all correspondence	
URW PART REFERENCE	
PRODUCT	STEERING <input type="checkbox"/> -RACK <input type="checkbox"/> -PUMP
URW SERIAL NO.	
URW INVOICE NO.	
DATE OF INSTALLATION	
CWR DATE	

CUSTOMER DETAILS

Company	
Debitor no.	
Your claim reference	
Contact person	
Telephone no.	
Email address	

DETAILS OF VEHICLE

Carmaker	
Model	
Year/Month	
Car registration no.	
Engine type	
Chassis no.	



Steering Pump Problem:

- | | |
|----------------------|-----------------|
| 1 Pulley | 8 Bearing |
| 2 Flow control valve | 9 Wave washer |
| 3 Vane pump bracket | 10 Straight pin |
| 4 Vane pump rotor | 11 Oil seal |
| 5 Cam ring | 12 O-ring |
| 6 Oil Reservoir | 13 Bolt |
| 7 Vane pump shaft | |

DETAILS OF FAILURE

Mark the exact location of the problem on one of the drawings pictured above and describe the problem in the box below.